

## 460SJ TELESCOPIC BOOM LIFTS

### Platform

- 0.76 m x 1.83 m low mount platform
- Side entry with drop bar mid rail
- Multiple function operation
- Full proportional drive joystick control with integral thumb steer switch
- Full proportional main boom and swing joystick control
- Multiple speed control for telescope and platform rotate
- Selectable creep speed on drive / lift and swing functions
- 1.83 m articulating jib
- 180 degree powered platform rotator
- Platform console machine status light panel <sup>1</sup>
- Load sensing system
- AC cable to platform

### Power & Transmission

- Deutz D2011L03 (36.4 kW) diesel engine
- Engine distress warning/shut down system <sup>2</sup>
- Gull-wing hoods
- Swing-out engine tray
- Spark arresting type muffler
- Control ADE® -  
Advanced Design Electronics System
- Hydrostatic drive transmission
- Horn

### Functional Equipment & Accessories

- 4 degree tilt alarm and indicator light
- 12 x 16.5 foam filled lug tread tyres
- Lifting/tie down lugs
- Hour meter
- Ground control selector switch with key lock
- Platform tool tray
- 12V DC auxiliary power

### Available Options

- 0.91 m x 1.83 m low mount platform
- 0.91 m x 2.44 m low mount platform
- Side entry with inward swing gate
- 13 mm air line to platform
- Four wheel drive
- 12 x 16.5 foam filled non marking tyres
- 14 x 17.5 foam filled lug tread tyres
- Oscillating front axle
- On-board 4,000 W generator
- SkyPower® package 7,500 watt on-board generator
- SkyWelder® package 250 amp welder in the platform <sup>3</sup>
- Tow Package <sup>4</sup>
- All motion alarm
- Alarm package <sup>5</sup>
- Light package <sup>6</sup>
- Head and tail lights
- Flashing amber beacon
- Plugs & Sockets
- Hostile environment package <sup>7</sup>
- Hydraulic oil cooler
- Catalytic Purifier Muffler
- Soft Touch Proximity System
- Corner storage tray



<sup>1</sup> Provides indicator lights at platform control console for system distress, low fuel, tilt light, and foot switch status.

<sup>2</sup> Low oil pressure and high coolant temperature alarms with shut-down enabled/disabled by analyser.

<sup>3</sup> Available when integrated with the SkyPower® package.

<sup>4</sup> Available only with two wheel drive on models 400S and 460SJ.

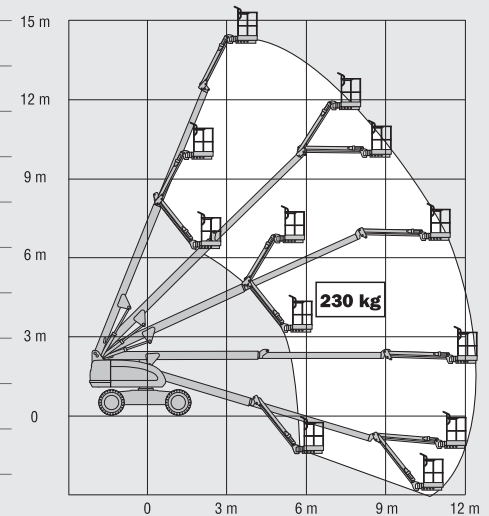
<sup>5</sup> Includes all-motion alarm and flashing amber beacon.

<sup>6</sup> Includes platform mounted work lights and head & tail lights.

<sup>7</sup> Includes console cover, boom wipers and cylinder bellows.

# 460SJ TELESCOPIC BOOM LIFTS

Platform Height	14.02 m
Horizontal Outreach	12.34 m
Swing (Continuous)	360°
Platform Capacity – Unrestricted	230 kg
Platform Rotator (Hydraulic)	180°
Jib – Overall Length	1.83 m
Jib - Range of articulation	130° (+70°/-60°)
A. Platform Size	0.76 m x 1.83 m
B. Overall Width	2.31 m
C. Tailswing (working condition)	0.86 m
D. Stowed Height	2.41 m
E. Stowed Length	8.84 m
F. Wheelbase	2.34 m
G. Ground Clearance	0.32 m
Machine weight <sup>1</sup>	7,850 kg
Maximum Ground Bearing Pressure	4.42 kg/cm <sup>2</sup>
Maximum Tyre Load	3,357 kg
Drive Speed 2WD	7.2 km/h
Drive Speed 4WD	7.2 km/h
Gradeability 2WD	30%
Gradeability 4WD	45%
Tyres	12 x 16.5 Foam Filled
Axle Oscillation (optional)	0.20 m
Turning Radius – Inside	2.01 m
Turning Radius – Outside	5.00 m
Diesel Engine Deutz D2011L03	36.4 kW
Fuel Tank Capacity	98 L
Hydraulic System	197 L
Auxiliary Power	12V DC

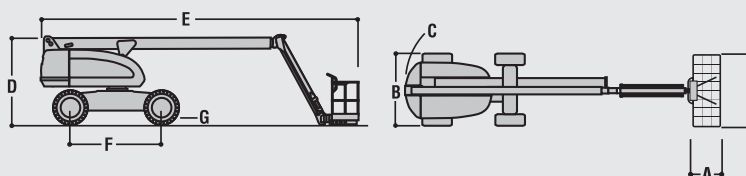


**JLG Industries, Inc. is a leading designer and manufacturer of access equipment and complementary services and attachments.**

JLG has manufacturing facilities in the United States, France, Romania, China and Belgium. Customers throughout Europe, Scandinavia, Africa and the Middle East benefit from a network of dedicated sales and service operations designed to deliver the highest levels of support.

**JLG is an Oshkosh Corporation company.**

[www.jlgeurope.com](http://www.jlgeurope.com)



<sup>1</sup> Certain options or country standards may increase weight and/or dimensions.