

Model TOUCAN 10E

MAST BOOM LIFTS

Performance

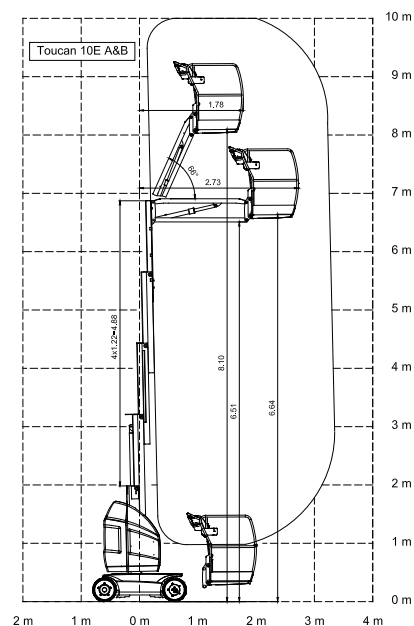
- Working height 10.10 m
- Working outreach (standard platform) 3.38 m
- Up and over height 6.51 m
- Swing (not continuous) 345°
- Platform capacity ¹ 200kg
- Jib - overall length 1.60 m
- Jib - range of articulation 126° (+65°/-61°)
 - A. Platform size standard platform (L x W) 0.70 x 0.90 m
 - B. Overall width 0.99 m
 - C. Tailswing 12 cm
 - D. Stowed height 1.99 m
 - E. Overall length (standard platform) 2.82 m
 - F. Wheelbase 1.20 m
 - G. Ground clearance 10 cm
- Machine weight - standard platform ² 2,980 kg
- Maximum ground bearing pressure 21.5 kg/cm²
- Drive speed - lowered 5.5 km/h
- Turning radius (outside) 1.99 m
- Turning radius (inside) 0.55 m
- Gradeability 25%

¹ Capacity shown is maximum two persons indoor and outdoor (12.5 m/s wind speed)

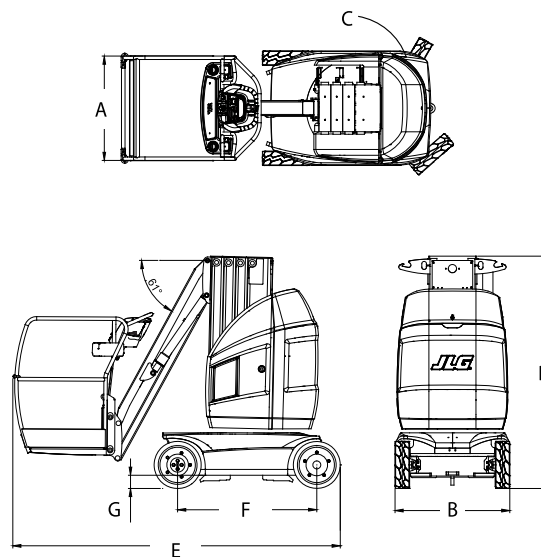
² Certain options or country standards may increase weight and/or dimensions.



Reach Diagram



Dimensions



IMPORTANT

JLG is continually researching and developing products and reserves the right to make modifications without prior notice. All data in this document is indicative. Certain options or country standards will increase weight. Specifications may change to meet country standards or with the addition of optional equipment.

Due to continuous product improvements, JLG Industries reserves the right to make specification and/or equipment changes without prior notification.



JLG EMEA BV

Polaris Avenue 63
2132 JH Hoofddorp
The Netherlands
Tel: +31 (0)23 565 5665
Fax: +31 (0)23 557 3750
www.jlg.com

An Oshkosh Corporation Company